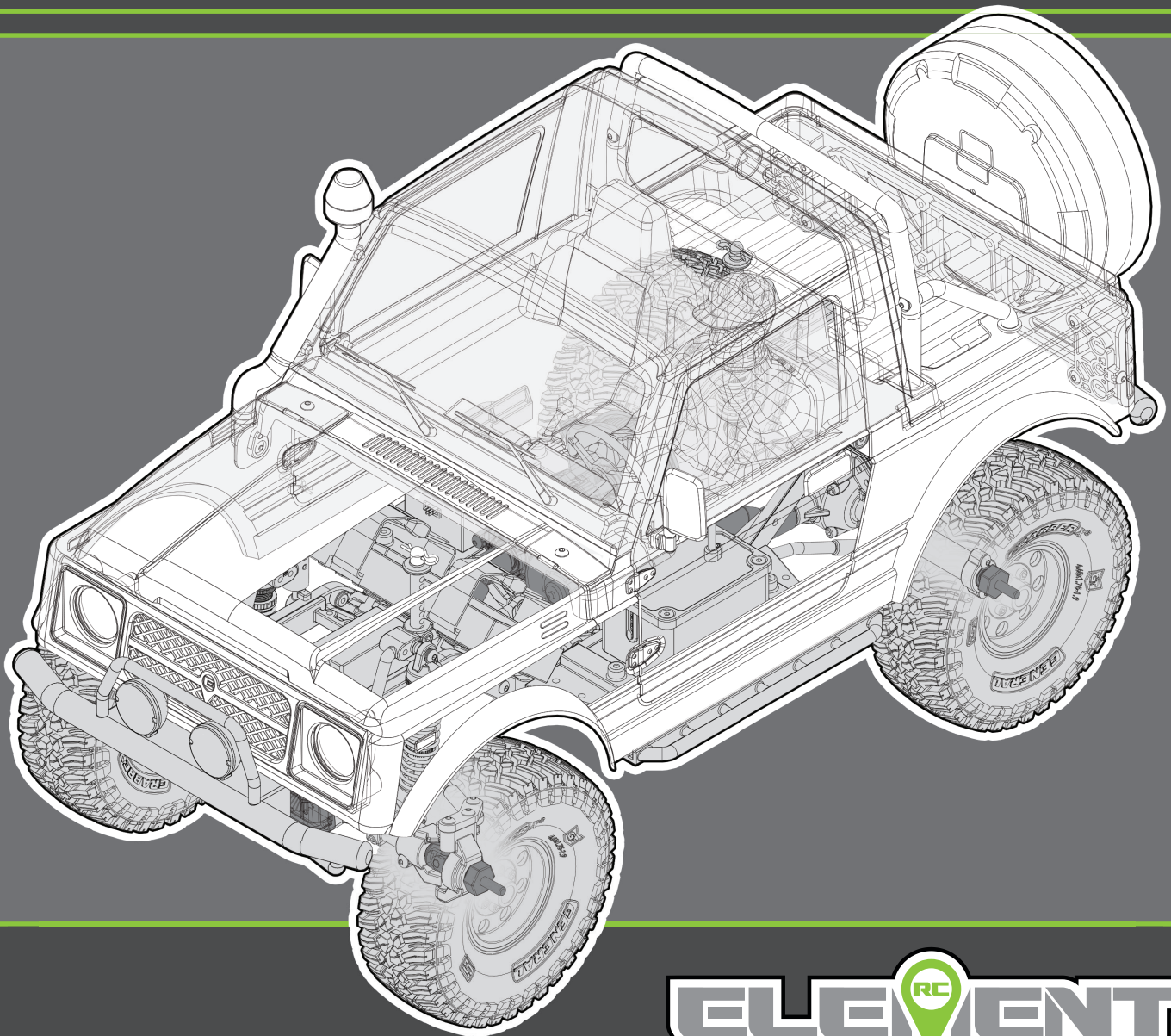


ENDURO

BUSHIDO+
OFF-ROAD 4X4



OWNERS BUILD MANUAL





Associated Electrics, Inc.
21062 Bake Parkway
Lake Forest, CA 92630

Customer Service
Tel: 949.544.7500
Fax: 949.544.7501

Follow Us On Social Media



ElementRC



@Element_RC

www.ElementRC.com

AE is a Registered Trademark of Associated Electrics, Inc.

TEAM ASSOCIATED is a Registered Trademark of Associated Electrics, Inc.

REEDY is a Registered Trademark of Associated Electrics, Inc.

FACTORY TEAM is a Registered Trademark of Associated Electrics, Inc.

ELEMENT™ is a Trademark of Associated Electrics, Inc.

AREA 51 is a Registered Trademark of Associated Electrics, Inc.

STEALTH is a Registered Trademark of Associated Electrics, Inc.

GREEN SLIME is a Registered Trademark of Associated Electrics, Inc.

ITEMS NEEDED

The following items are required to build or maintain your Enduro Trail Truck.

- 1.5mm Allen Wrench (#1500)
- 2mm Allen Wrench (#1501)
- 2.5mm Allen Wrench (#1503)
- Pliers
- Long Nose Pliers
- 5.5mm Nut Driver (#1507)
- 7mm Nut Driver (#1508)

OTHER HELPFUL ITEMS

The following items aren't required, but will aid in the building and maintaining of your Enduro Trail Truck.

- Threadlock (#1596)
- Green Slime (#1105)

Your journey begins here.



INTRODUCTION

Thank you for purchasing this Element RC product. This assembly manual contains instructions and tips for building and maintaining your new Enduro chassis. Please take a moment to read through this manual to help familiarize yourself with these steps. We are continually changing and improving our designs; therefore, actual parts may appear slightly different than in the illustrations. New parts will be noted on supplementary sheets located in the appropriate parts bags.

ENDURO TRAIL TRUCK

All in the details. Modeled after the small 1980s 4x4 kei car designs out of Japan, the Bushido features awesome looks on a capable chassis.

The single-piece polycarbonate body comes pre-painted with clear windows and includes a highly-detailed decal sheet along with extra decals for making the Bushido your own. With injection-molded mirrors, grill, wipers, snorkle, bumpers, and rear bed cage for added scale realism, this rig is sure to look great on the trail.

Out of the box, the Bushido Off-Road 4X4 is ready to tackle the elements – your journey begins here!

OFFICIALLY LICENSED TIRES: Gripping the trail is a set of officially licensed General Grabber™ X3 tires molded in a high-performance, soft compound rubber. The General Grabber™ X3 tires are mounted on a set of Element RC Ocho beadlock wheels. No more worrying if your RTR tires will come unglued.

The Enduro Trail Truck comes ready for adventure right out of the box, with performance-driven Reedy Power electronics. The all-new, ultra-smooth and powerful, 16-turn 5-slot brushed crawler motor and Reedy Power SC480X electronic speed controller with T-plug connector, supply ample power to this tough rig. Controlling the beast on the trail is our 3-channel XPI30 2.4GHz radio and Reedy Power high-torque 1320MG metal gear servo.

With all this packed in one box, we know the Enduro Trail Truck is ready for the trail...Are you?

FEATURES

- Stealth X Gearbox with adjustable overdrive gears
- BTA steering [Behind the Axle]
- CMS [Chassis Mounted Servo]
- Integrated servo winch mount
- Adjustable front track bar
- Universal front drive axles
- Stamped steel C-Channel frame rails
- Enclosed receiver box
- 12mm wheel hexes
- Adjustable front and rear bumper mounts
- Adjustable width rock sliders
- Two battery boxes (Shorty and regular size!)
- Threaded aluminum shock bodies
- Aluminum steering plates
- Aluminum motor plate
- Adjustable body posts
- Optimized rod ends for more fluid axle articulation
- Adjustable rear shock mount positions
- Telescopic driveshaft's front and rear
- Extruded aluminum driveshaft splines
- One-piece rear axle design
- Splined front axle with adjustable caster
- Machined input pinion gear
- Metal ring gear
- Machined steel top shaft
- Metal idler gears
- Heavy duty 5mm diameter steel links
- Precision metal ball bearings included
- Steel servo horn
- Licensed 1.9"x4.65" General Grabber X3 tires
- 11.8" (299mm) wheelbase

ELECTRONICS:

- Water resistant 2S-3S LiPo compatible Reedy SC480X brushed electronic speed control with adjustable drag brake and T-plug battery connector
- Smooth and powerful Reedy Crawler 16T 5-slot brushed motor
- XPI30 2.4GHz radio system (3 Channel)
- Reedy high-torque 1320MG metal gear servo (13kg/180 oz.)







BUSHIDO BODY FEATURES:

- Bushido 1-piece body thermoformed in high-strength polycarbonate
- Clear windows
- Injection-molded snorkel, wipers, and pivoting side mirrors
- Injection-molded rear bed cage
- Molded grill
- Adjustable front / rear bumpers













HARDWARE 1:1 SCALE VIEW

HARDWARE USED WITH OPTIONAL REPLACEMENT PART NUMBERS

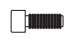





FLAT HEAD SCREWS (FHCS)

	2.5x10mm (31350)
	2.5x14mm (41077)
	3x8mm (25201)
	3x10mm (25202)
	3x12mm (25203)
	3x14mm (89208)

BUTTON HEAD SCREWS (BHCS)

	2.6x10mm (41088) Self Tapping Thread
	3x5mm (31530)
	3x6mm (31531)
	3x8mm (31532)
	3x10mm (25211)
	3x12mm (89202)
	3x14mm (25187)
	3x16mm (89203)
	3x18mm (2308)
	3x20mm (25188)
	3x28mm (41078)
	4x18mm (42199)



SOCKET HEAD SCREWS (SHCS)

	2x5mm (31511)
	2x8mm (7187)
	2.5x6mm (41079)
	2.5x10 (41087)
	2.5x14 (71032)
	2.5x16 (41086)



SET SCREWS

	3x3mm (25225)
	3x16mm (4689)


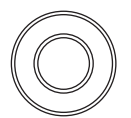
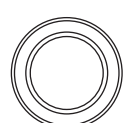
PIVOT BALLS

	Pivot Ball, Short (42041)
	Pivot Ball, Long, Upper Shock (42041)



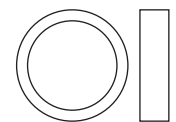
LOCK NUTS

	M3 Locknuts (25215) Aluminum (31550)
	M4 Locknut W/Flange (25391)



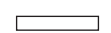
BEARINGS

	5x10x4mm (91560)
	7x14x3.5mm (91474)
	10x15x4mm (91563)

SHIMS AND WASHERS

	.250x.125x.015 (7337)
	Servo Horn Spacer (42041)
	Drive Gear Shim (42027)

MISC. SCREWS

	Shoulder Screw 3x4x10mm (42070)
	Screw Pin (42022)
	Pin 2x11mm (42019)

LINKS

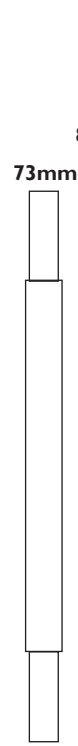




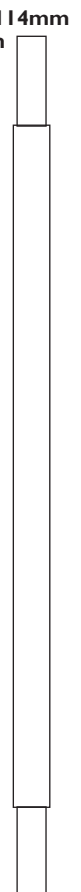

	73mm
	83mm
	93mm
	96mm
	100mm
	108mm
	114mm

TABLE OF CONTENTS

4/18/2023

01	COVER	12	DRIVESHAFTS BUILD (BAG 8)
02	INTRODUCTION	13	SHOCKS BUILD (BAG 9)
03	1:1 HARDWARE "FOLD OUT"	14	BUMPERS BUILD (BAG 10)
04	TABLE OF CONTENTS	14	WHEELS/TIRES BUILD
05	CHASSIS BUILD (BAG 1, 2)	15	BODY BUILD (BAG 11)
06	ELECTRONIC MOUNTS BUILD (BAG 3)	16	OPTIONAL GEARBOX BUILD
07	GEARBOX BUILD (BAG 4)	17	TRAIL TIPS
08	FRONT AXLES BUILD (BAG 5)	18	BACK COVER
09	REAR AXLES BUILD (BAG 6)		
09	LINKS BUILD (BAG 7)		

USING THIS MANUAL



This symbol indicates a special note or instruction in the manual.

x2

This symbol indicates the number of the same part that is required.



This symbol indicates the order within a step to assemble parts.



This symbol indicates a Trail Tip.



This symbol indicates where Black Grease should be applied.



This symbol indicates where Green Slime can be applied. *not included



This symbol indicates where Thread Lock Adhesive should be applied. *not included

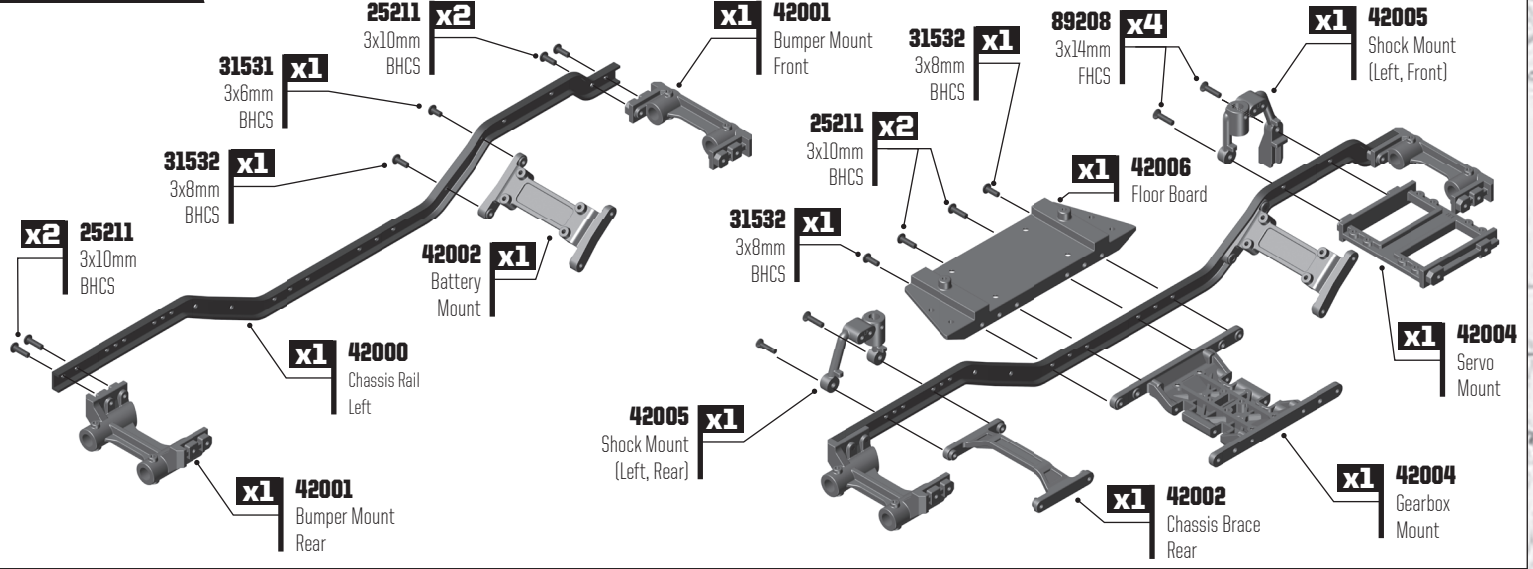


This symbol indicates where Shock Fluid should be applied.

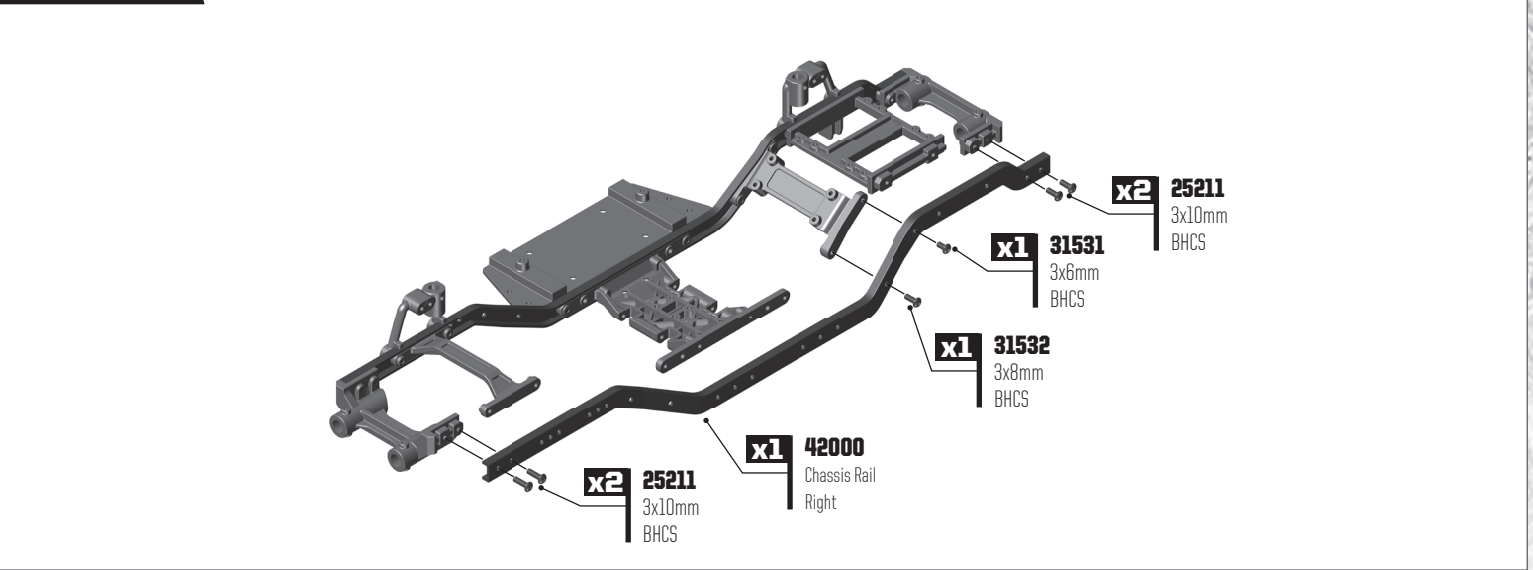


There is a 1:1 hardware foldout page in the front of the manual. To check the size of a part, line up your hardware with the correct drawing until you find the exact size. Each part in the foldout has a number assigned to it for ordering replacement parts.

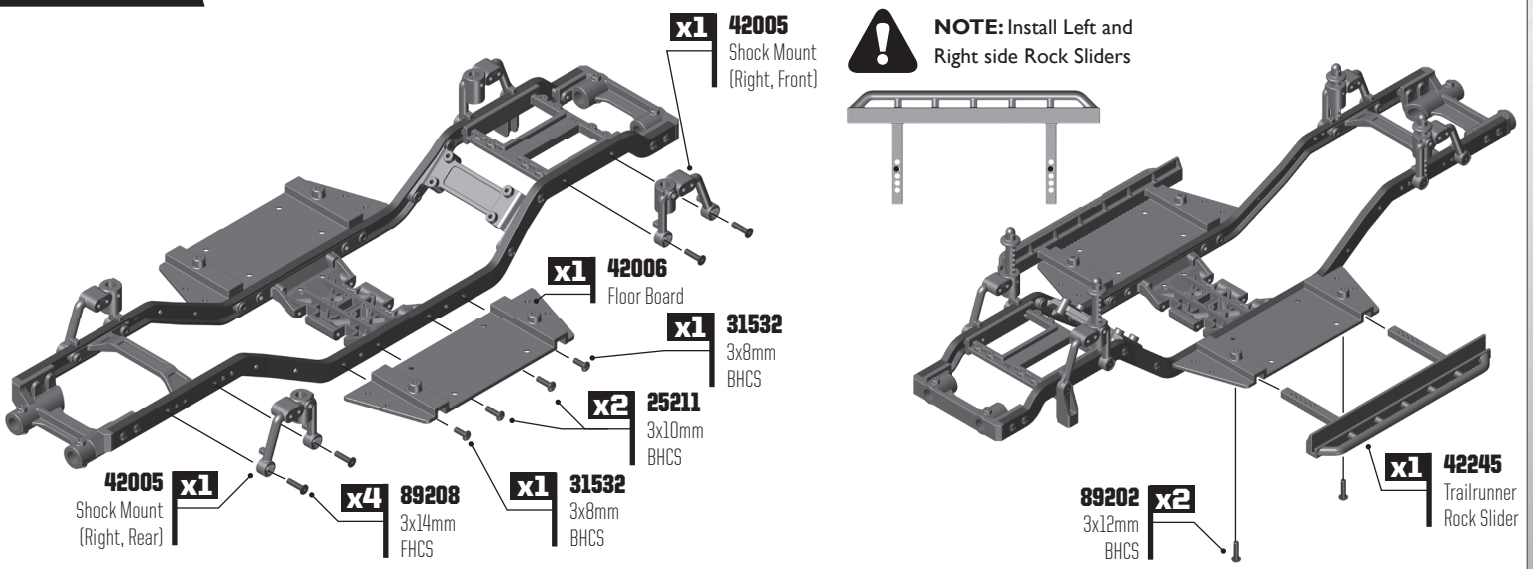
GATE 01 CHASSIS BUILD: BAG 1, 2



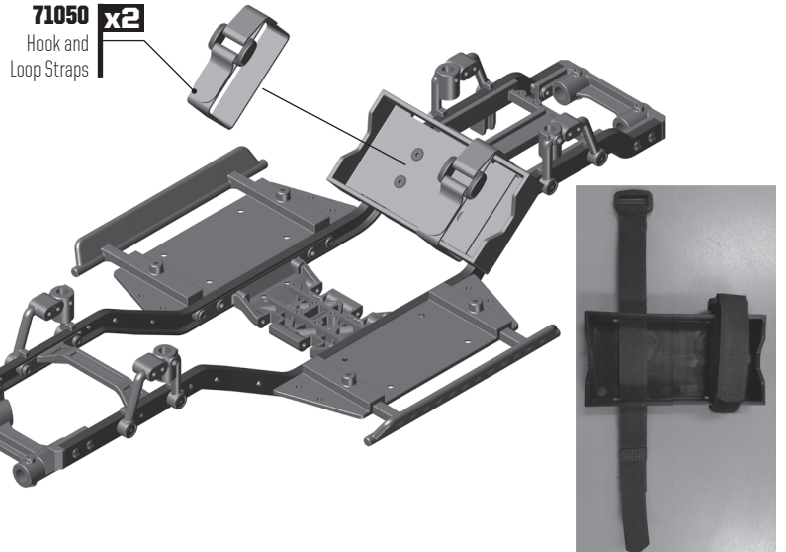
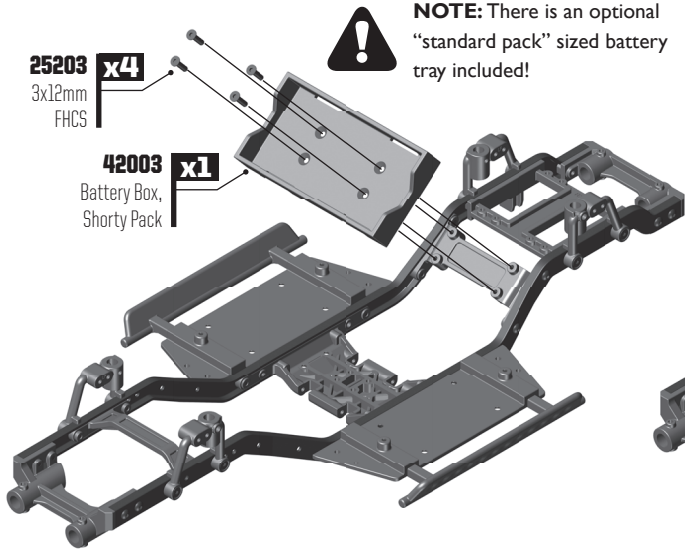
GATE 02 CHASSIS BUILD: BAG 1, 2



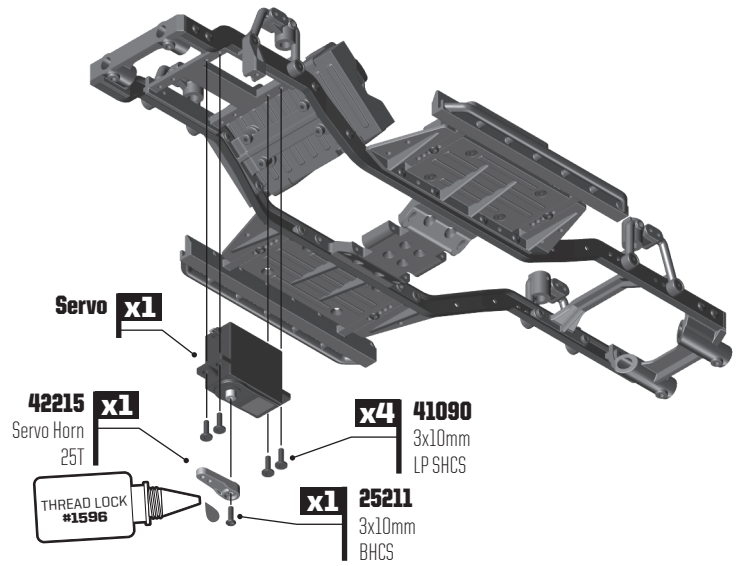
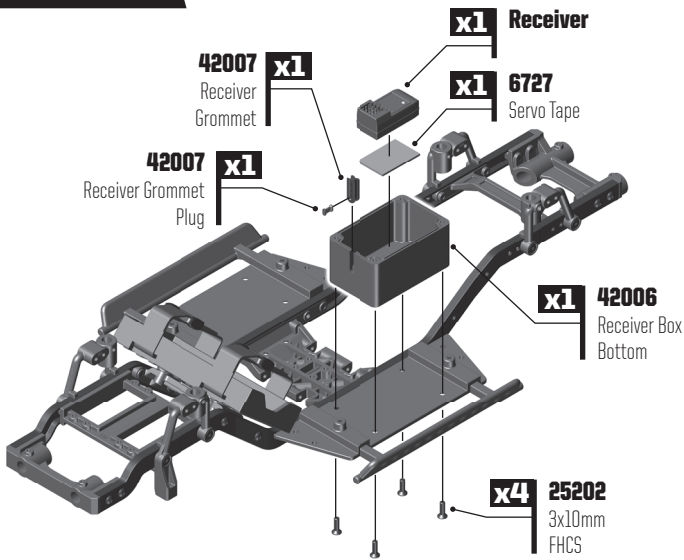
GATE 03 CHASSIS BUILD: BAG 1, 2



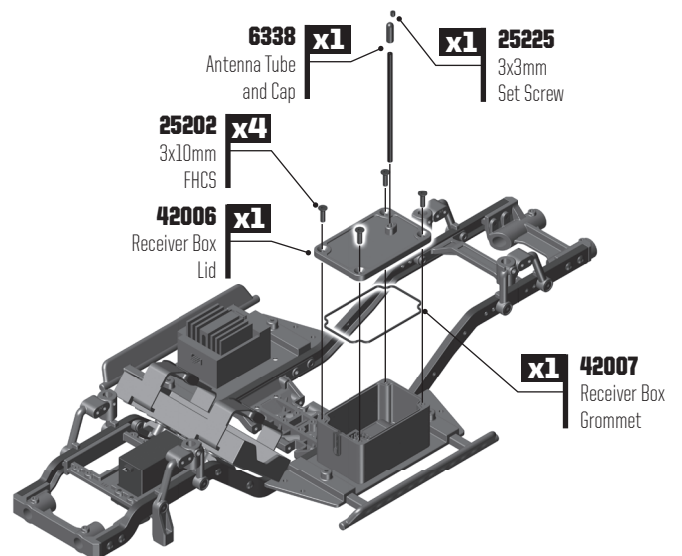
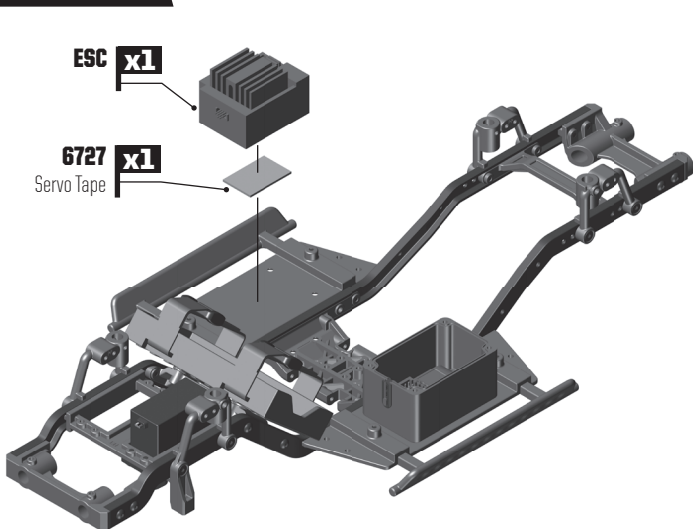
GATE 01 ELECTRONIC MOUNTS BUILD: BAG 3



GATE 02 ELECTRONIC MOUNTS BUILD: BAG 3



GATE 03 ELECTRONIC MOUNTS BUILD: BAG 3



GATE 01 GEARBOX BUILD: BAG 4

BLACK GREASE #6588

- x1 42028** Stealth X Gearbox Drive Gear, 53T
- x1 42027** Stealth X Gearbox Outdrive, Long
- x4 31350** 2.5x10mm FHCS
- 91563 x2** 10x15x4mm Bearing
- x1 42027** Stealth X Gearbox Drive Gear Shim
- x1 42027** Stealth X Gearbox Outdrive, Short
- x1 42028** Stealth X Gearbox Drive Gear, 52T
- x4 41077** 2.5x14mm FHCS

NOTE: Make sure the 10x15x4mm bearing is completely seated in the short outdrive

GATE 02 GEARBOX BUILD: BAG 4

NOTE: There are optional gearbox builds on page 24

- x2 42025** Idler Shaft Pin 2x9mm
- x1 42025** Stealth X Gearbox Idler Shaft
- x1 42026** Stealth X Gearbox Idler Gear, 27T
- x1 42026** Stealth X Gearbox Idler Gear, 28T
- x1 42030** Stealth X Gearbox Top Shaft, Rear
- x4 91560** 5x10x4mm Bearing
- x5 41078** 3x28mm BHCS
- x1 42023** Stealth X Gearbox Case
- x2 91563** 10x15x4mm Bearing
- x1 42023** Stealth X Gearbox Case

Over Drive Option I (Stock)

GATE 03 GEARBOX BUILD: BAG 4

- x1 42029** Stealth X Gearbox Motor Plate
- x3 25201** 3x8mm FHCS
- x2 42023** Stealth X Gearbox Spur Gear Hub
- x1 25391** FT M4 Locknut
- x2 41090** 3x10mm LP SHCS
- x1 9654** Spur Gear 48P, 8T
- x1 Motor**

GATE 04 GEARBOX BUILD: BAG 4

42023 x1 Stealth X Gearbox Gear Cover

1336 x1 Pinion Gear 18T

25225 x1 3x3mm Set Screw

31530 x2 3x5mm BHCS

89208 x2 3x14mm FHCS

25201 x2 3x8mm FHCS

NOTE: Make sure the gear mesh between the spur gear and pinion has a slight amount of movement between the two gears.

GATE 01 FRONT AXLE BUILD: BAG 5

41086 x4 2.5x16mm SHCS

91560 x2 5x10x4mm Bearing

91474 x2 7x14x3.5mm Bearing

42060 x1 Axle Housing Differential Cover

42066 x1 Pinion Gear, 8T

42065 x1 Ring Gear, 30T

42061 x1 Axle Housing, Front

42062 x1 Caster Block, Left

91560 x1 5x10x4mm Bearing

NOTE: Align the two arrows when installing the caster block!

NOTE: Install Left and right side caster blocks and bearings

GATE 02 FRONT AXLE BUILD: BAG 5

NOTE: Tighten the caster block clamp until the screw is flush with the end!

42060 x1 Lower 4-Link Mount

71032 x2 2.5x14mm SHCS

25187 x1 3x14mm BHCS

42067 x1 Universal

91563 x1 10x15x4mm Bearing

91560 x1 5x10x4mm Bearing

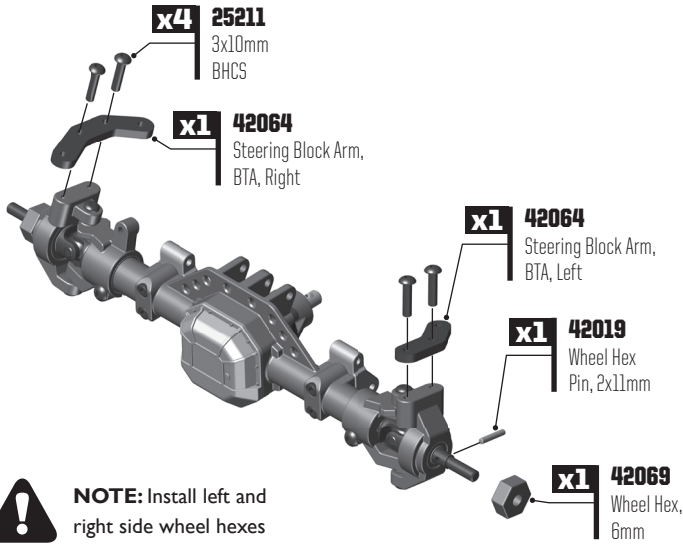
42062 x1 Steering Block

42070 x2 3x4x10mm Shoulder Screw

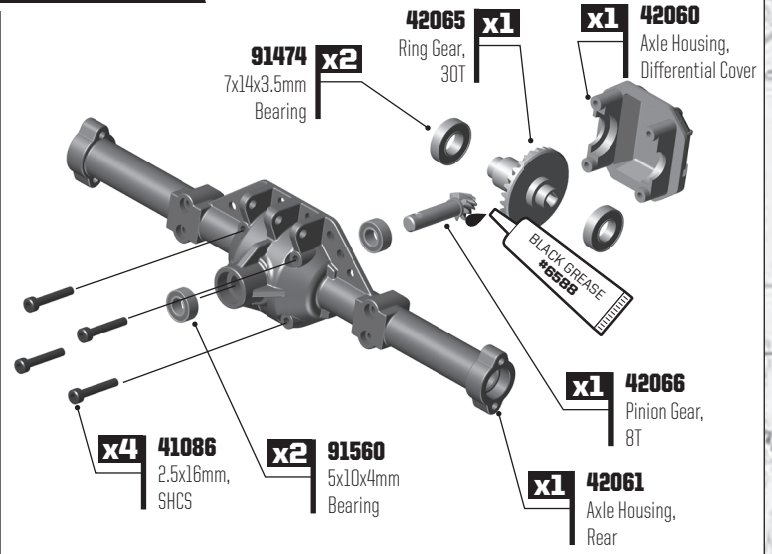
NOTE: Install left and right side steering blocks and universals

NOTE: Install left and right side axle mounts and shoulder screws

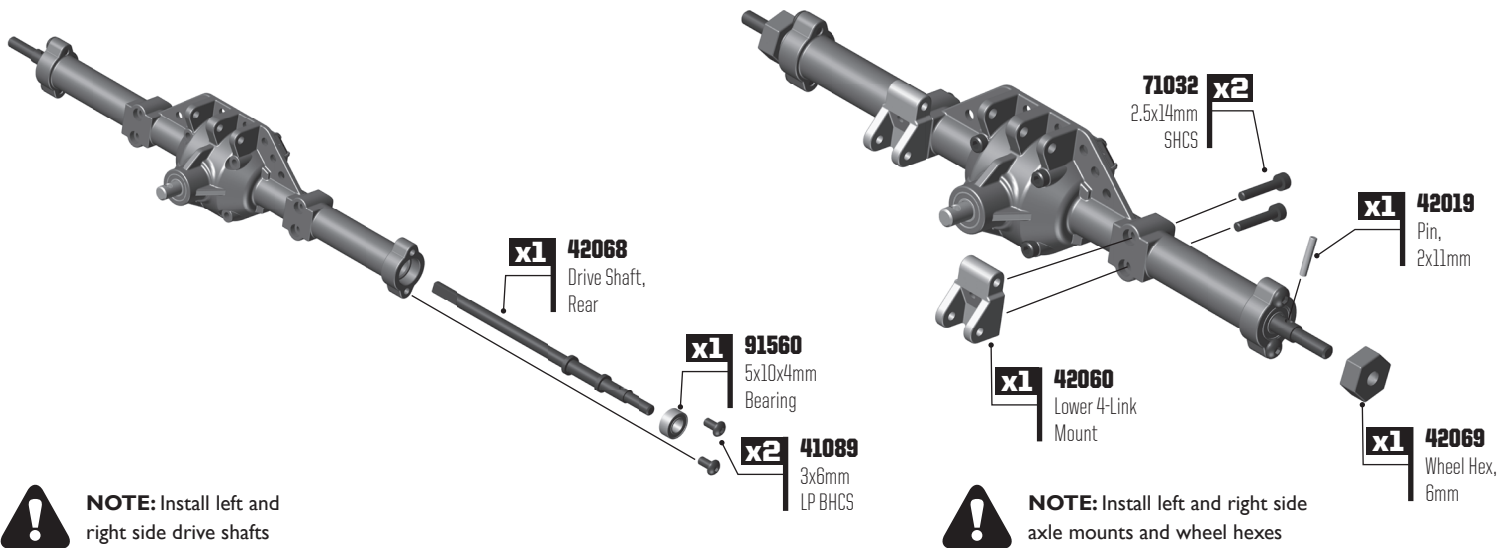
GATE 03 FRONT AXLE BUILD: BAG 5



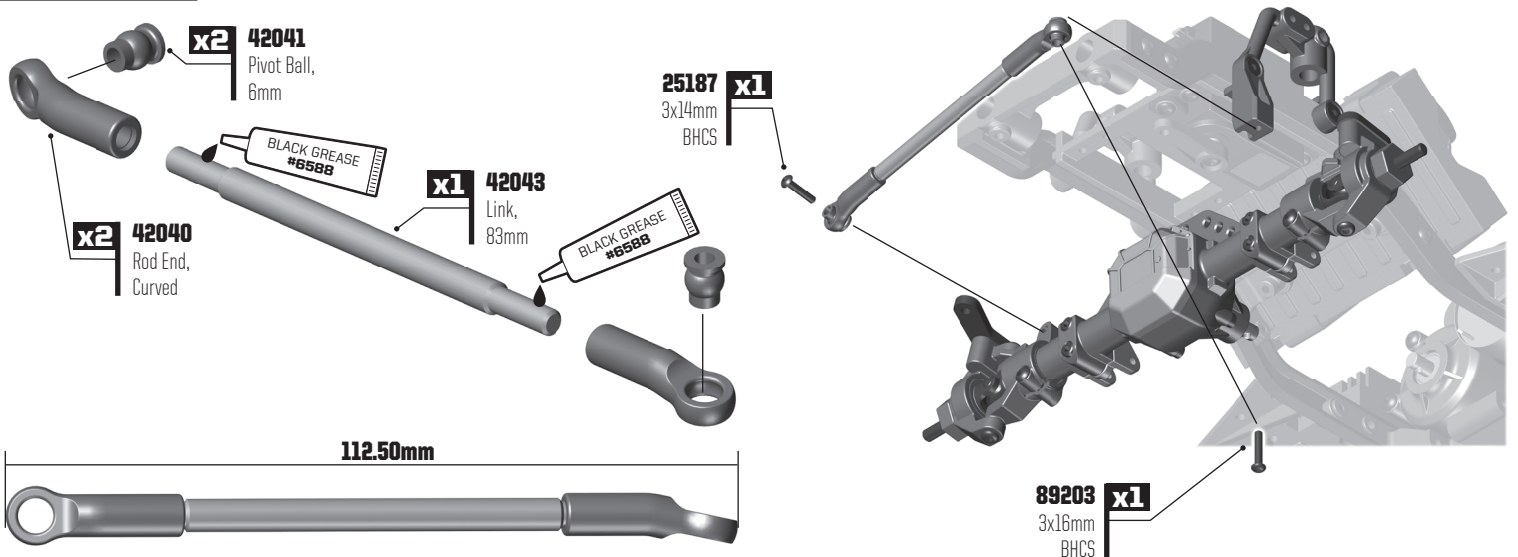
GATE 01 REAR AXLE BUILD: BAG 6



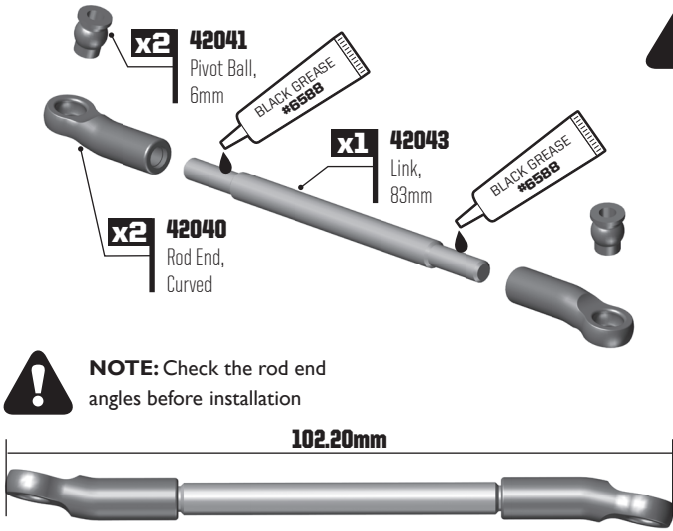
GATE 02 REAR AXLE BUILD: BAG 6



GATE 01 LINKS BUILD: BAG 7



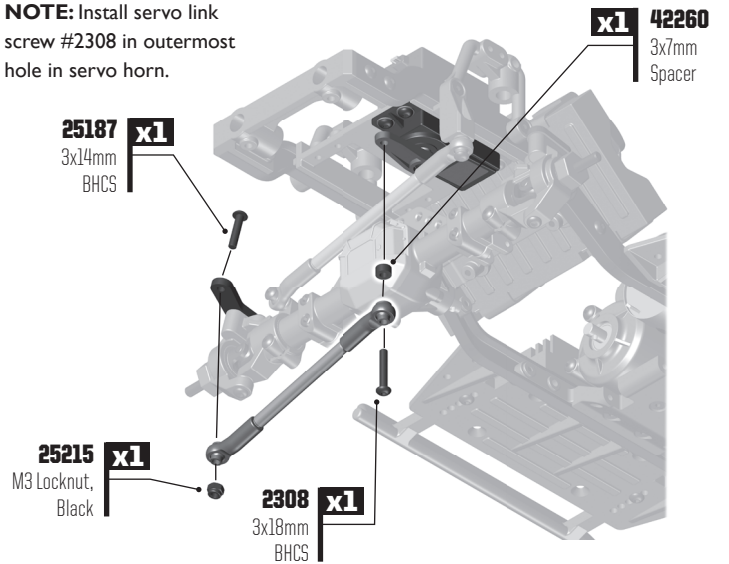
GATE 02 LINKS BUILD: BAG 7



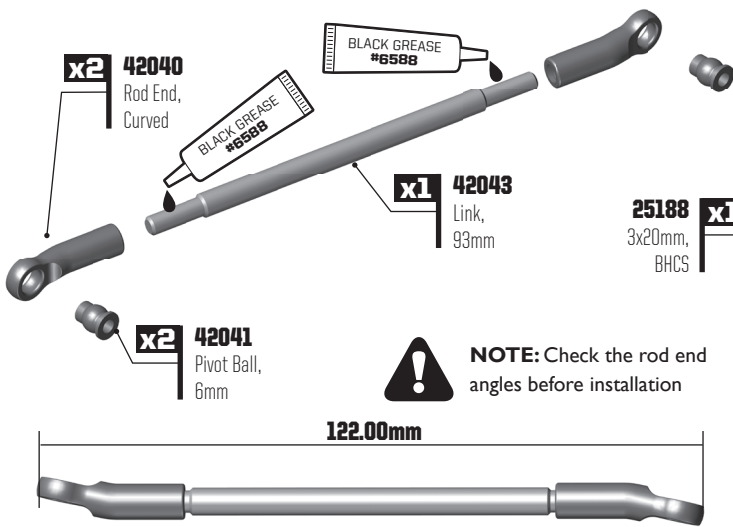
NOTE: Check the rod end angles before installation



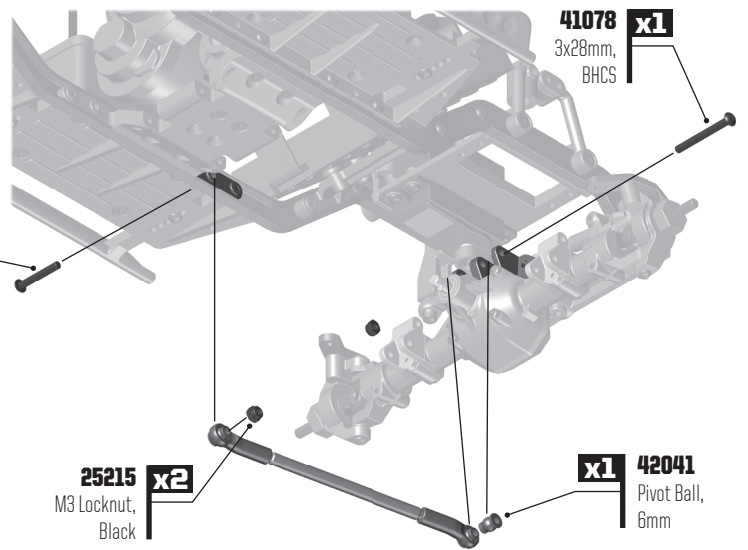
NOTE: Install servo link screw #2308 in outermost hole in servo horn.



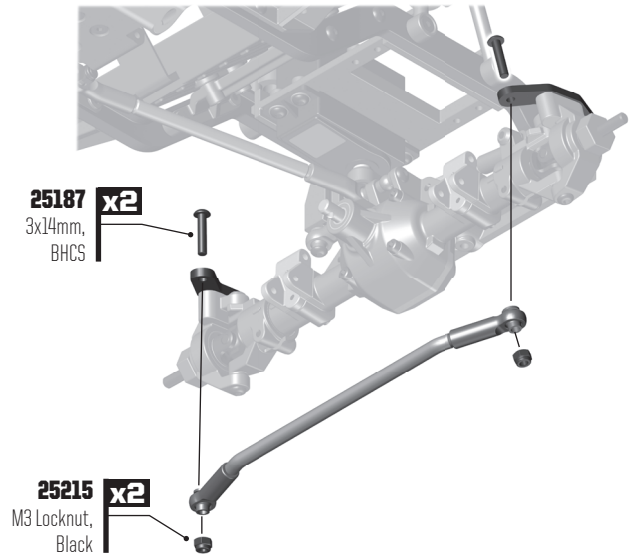
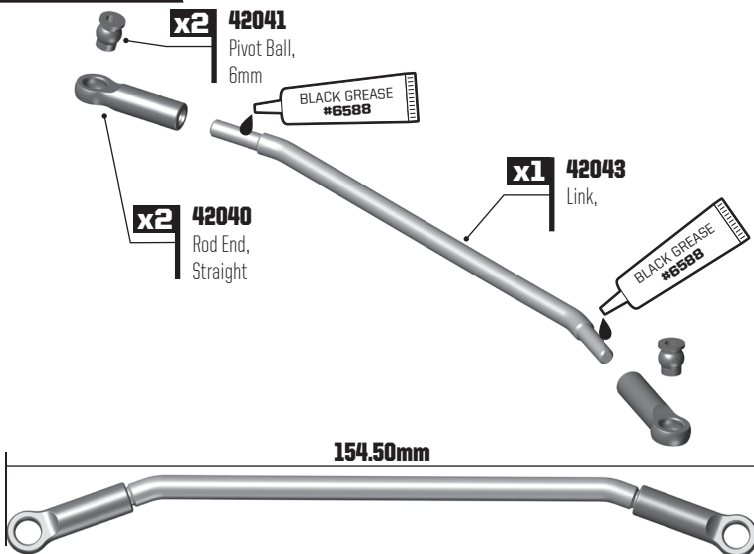
GATE 03 LINKS BUILD: BAG 7



NOTE: Check the rod end angles before installation



GATE 04 LINKS BUILD: BAG 7



GATE 05 LINKS BUILD: BAG 7

NOTE: Build and install two rear upper links

x2 42041 Pivot Ball, 6mm

x2 42040 Rod End, Curved

x1 42043 Link, 93mm

BLACK GREASE #6588

NOTE: Check the rod end angles before installation

122.00mm

x1 25188 3x20mm, BHCS

x1 41078 3x28mm BHCS

x2 25215 M3 Locknut, Black

GATE 06 LINKS BUILD: BAG 7

NOTE: Build and install two front lower links

x2 42041 Pivot Ball, 6mm

x2 42040 Rod End, Curved

x1 42186 FT High Clearance Link, 100mm

BLACK GREASE #6588

NOTE: Check the rod end angles before installation

129.50mm

x1 25187 3x14mm, BHCS

x1 4689 3x16mm, Set Screw

GATE 07 LINKS BUILD: BAG 7

NOTE: Build and install two front lower links

x2 42040 Rod End, Curved

x1 42186 FT High Clearance Link, 100mm

BLACK GREASE #6588

NOTE: Check the rod end angles before installation

129.50mm

x1 25187 3x14mm BHCS

x1 4689 3x16mm, Set Screw

x2 42041 Pivot Ball, 6mm

GATE 01 DRIVE SHAFT BUILD: BAG 8

42021 Pin, 2x11mm (x2)

42020 Drive Shaft, Female (33mm, 42mm) (x1)

31532 3x8mm BHCS (x2)

42021 Drive Shaft, Male, CVA (x2)

42021 Drive Shaft, Female, CVA (x2)

42021 Drive Shaft Barrel (x2)

42020 Pin Retainer, Short (x1)

42020 Drive Shaft, Male (48mm, 48mm) (x1)

42020 Pin Retainer, Long (x1)

42020 Gearbox Side

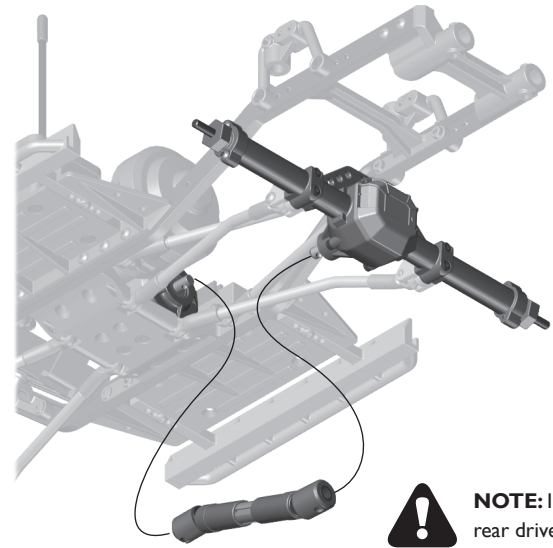
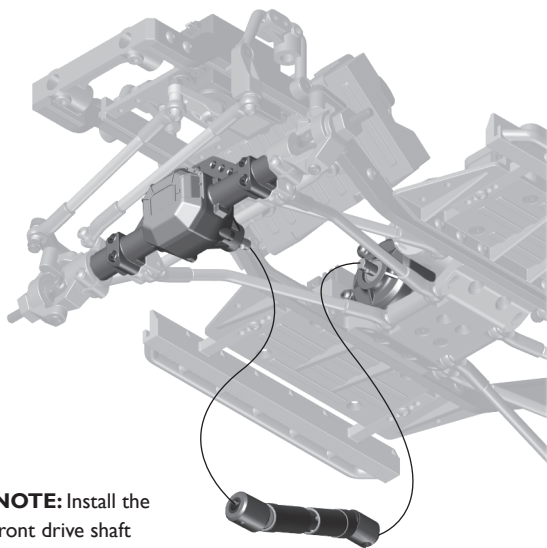
42020 Axle Side

NOTE: Build a front and rear drive shaft

Drive Shaft Lengths

	Front (mm)	Rear (mm)
Female 1	33	33
Female 2	33	42
Male	48	48

GATE 02 DRIVESHAFT BUILD: BAG 8



GATE 03 DRIVESHAFT BUILD: BAG 8

NOTE: Make sure the screw pins are aligned with each female CVA during assembly

NOTE: Make sure the phasing of the drive shafts is correct when installing them to the axles and gearbox.

Correct Phasing

Incorrect Phasing

FRONT

REAR

42022 Screw Pin (x4)

THREAD LOCK #1596

GATE 01 SHOCK BUILD: BAG 9

Pro Tip:
Use #1105 Green Slime on O-Rings

NOTE: Build 4 complete shocks

GATE 02 SHOCK BUILD: BAG 9

Shock Bleeding Steps:

1. Pull shock shaft down.
2. Fill shock body 3/4 full with silicone fluid.
3. Slowly move the shock shaft up and down to remove air from under piston.
4. Wait for bubbles to come to surface.
5. Fill shock body to top with silicone fluid.
6. Place a drop of oil in the cap and on cap threads.
7. Install cap and tighten completely.
8. Slowly compress shaft all the way to the top. If there is pressure at the top of the stroke, there is too much oil or air. You must bleed it out.
9. Slowly pull shaft out.
10. Unscrew the cap 3/4 turn and tilt the shock at a slight angle.
11. Slowly compress the shaft to push out excess oil and air. You should see bubbles coming out from under the cap.
12. With the shaft compressed, tighten the cap and re-check for pressure at the top of the stroke. If there is still pressure, repeat steps 9 thru 11.

NOTE: Build 4 complete shocks

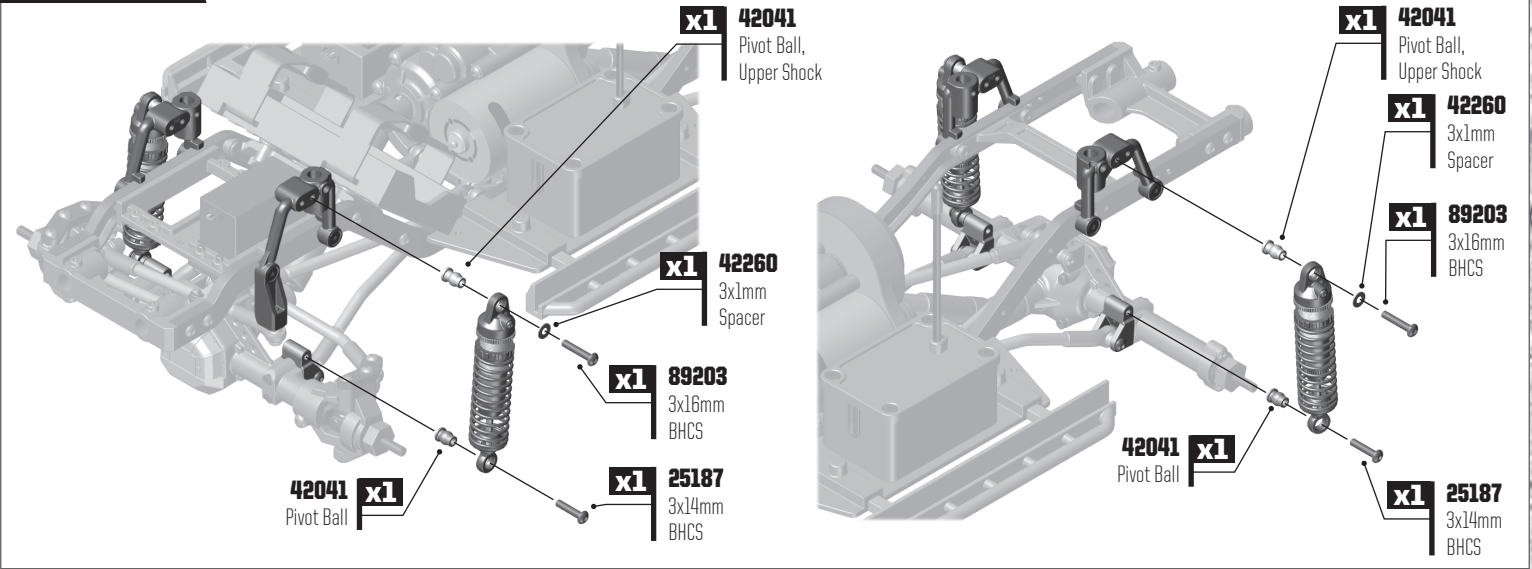
GATE 03 SHOCK BUILD: BAG 9



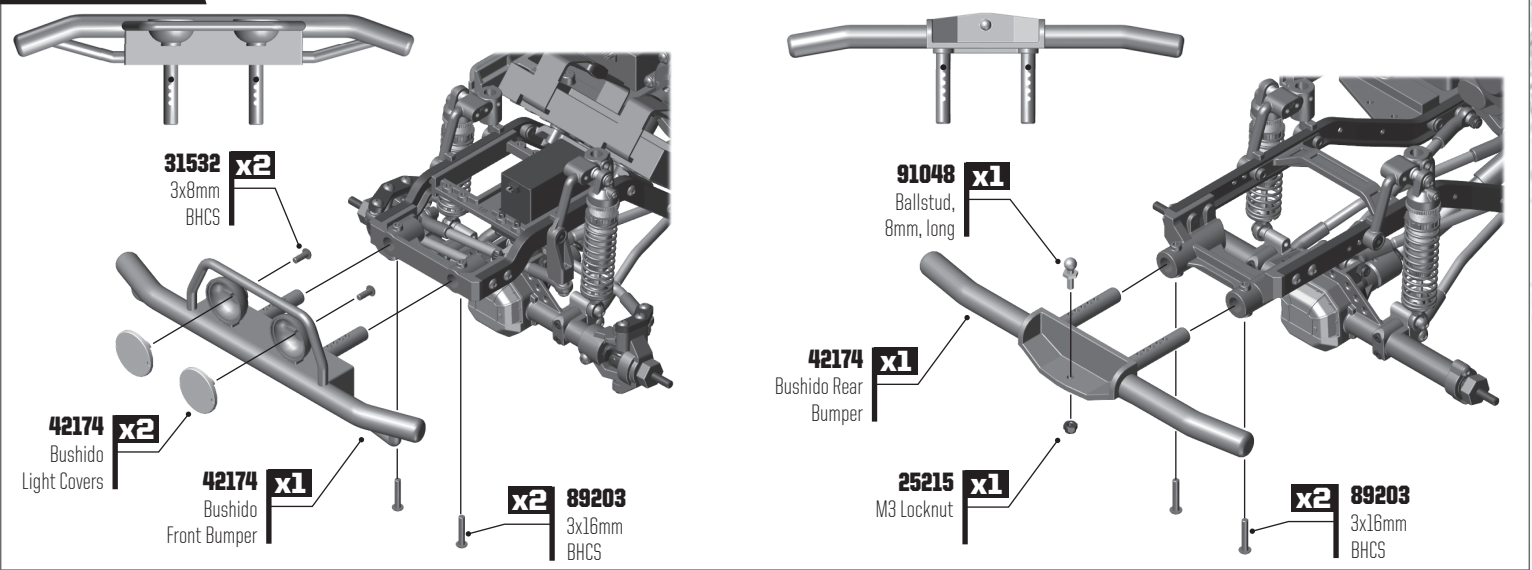
NOTE: Seat O-Ring into the groove on the inside of the shock collar

NOTE: Build 4 complete shocks

GATE 04 SHOCK BUILD: BAG 9



GATE 01 BUMPER BUILD: BAG 10



GATE 01 WHEEL/TIRE BUILD



GATE 02 WHEEL/TIRE BUILD

NOTE: Install 4 body mounts

x2 25391 FT M4 Locknut, Blue

x2 42109 The Ocho Nut Cap, Black

x2 42009 Body Mount, Short Pin

x2 42022 Screw Pin

Front Post Rear Post

GATE 01 BODY BUILD: BAG 11

Bodies	
42171	RTR - Painted (White)
42172	Clear
42195	RTR - Painted (Green)
42196	RTR - Painted (Metallic Blue)
42198	RTR - Interior Tray

x1 42173 Bushido Roll Bar

x2 89203 3x16mm BHCS

x10 31532 3x8mm BHCS

x2 42173 Bushido LED Mount

x1 42172 Bushido Body, Clear

x2 42173 Bushido Headlight Bucket

x1 42173 Bushido Grill, Black

NOTE: Install light buckets and hardware inside the body

GATE 02 BODY BUILD: BAG 11

NOTE: Install body clip and o-ring inside the body

x2 41086 2.5x16mm SHCS

x1 42173 Bushido Snorkel

x2 31392 3x5mm Washer

x2 89215 2.5mm Locknut

x2 42173 Snorkel Mount

x2 31520 2.5x6mm BHCS

x2 21173 Body Clip, Small

x2 42173 Side Mirror Mount, Backing

x2 5407 O-Ring

x2 42173 Side Mirror, Black

x2 42173 Side Mirror Mount, Black

x2 41086 2.5x16mm SHCS

x1 42198 Driver head Set

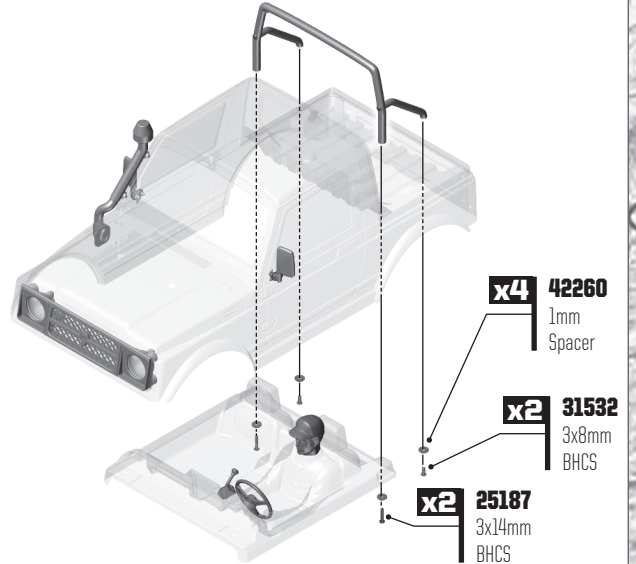
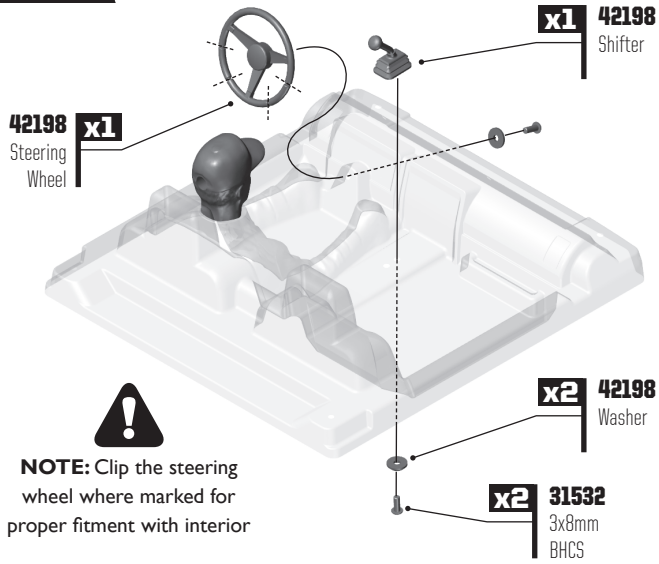
x1 31532 3x8mm BHCS

x1 42198 Interior Tray

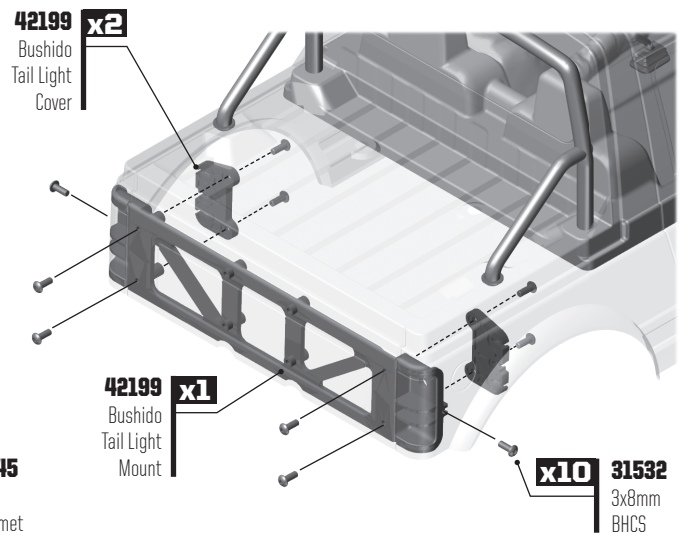
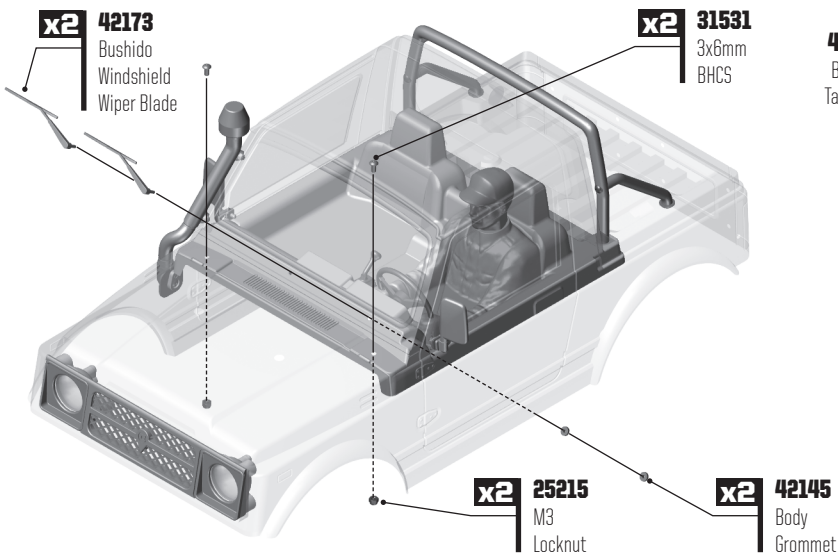
x1 42198 Washer

x1 31532 3x8mm BHCS

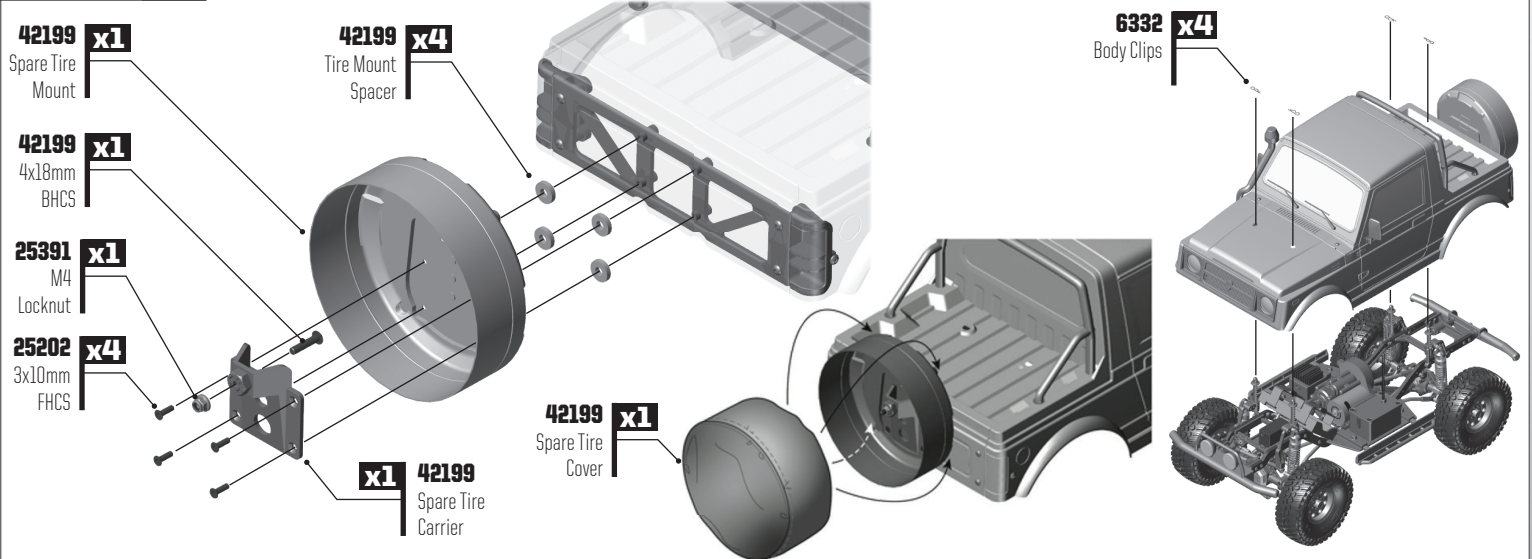
GATE 03 BODY BUILD: BAG 11



GATE 04 BODY BUILD: BAG 11



GATE 05 BODY BUILD: BAG 11



GATE 01 STEALTH X: BUILD CONFIGURATION: MOTOR MOUNT FACING REAR (STOCK)



OVERDRIVE:

Overdrive is a scenario where the front and rear wheels do not rotate at the same speed. The Stealth X gearbox is designed to allow the front wheels to spin faster than the rear wheels. Overdrive is advantageous when climbing up rock faces because the front tires will want to pull the vehicle up the rock. On desents, the rear tires rotating slower than the front tires will help keep the chassis more stable and keep the rear tires planted on the ground.

Stealth X:

The Stealth X gearbox allows the driver to change the front to rear drive ratios with 3 separate ratio adjustments to the rear drive shaft. The driver has the option to flip the gearbox direction (motor mount facing the front) the optional inverse top shaft (#42024) is required.

Please Note:

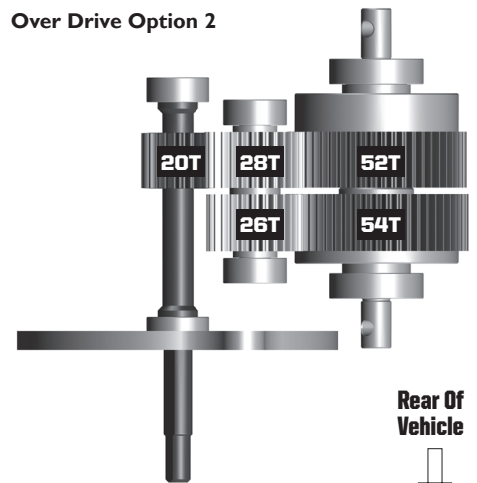
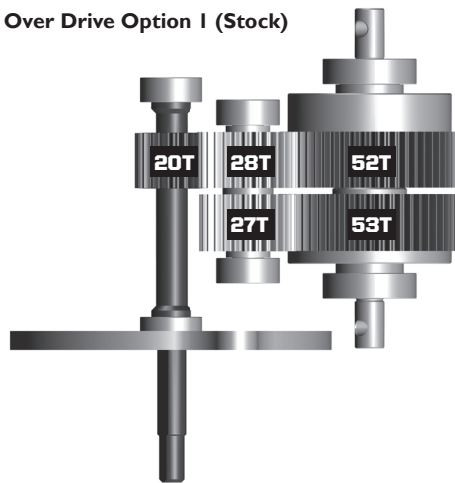
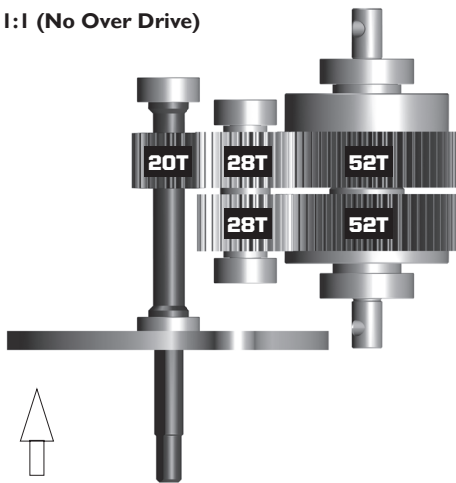
The 20T top shaft, 28T idler gear, and 52T drive gear will always be meshed together in all 6 gearbox configurations.

GATE 02 STEALTH X: BUILD CONFIGURATION: MOTOR MOUNT FACING REAR (STOCK)

I:1 (No Over Drive)

Over Drive Option 1 (Stock)

Over Drive Option 2

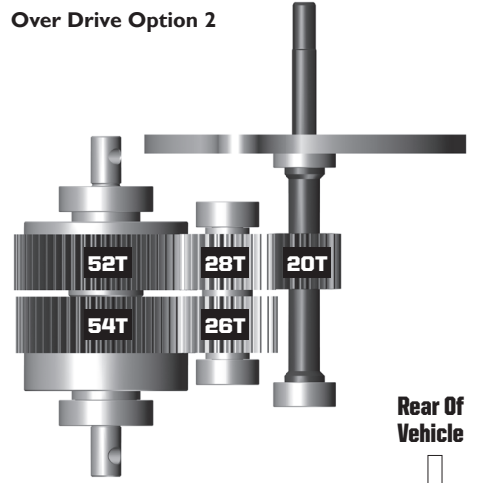
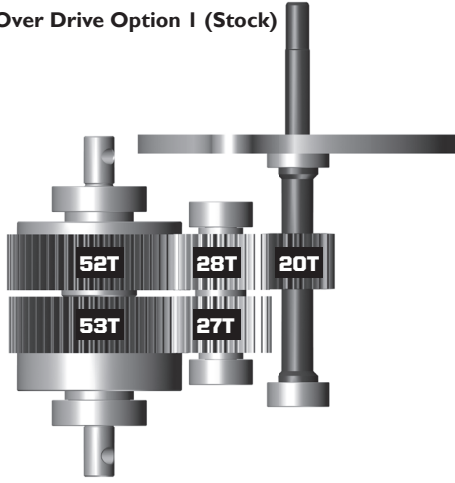
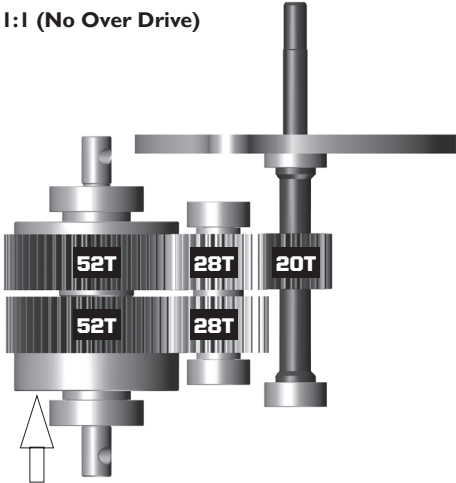


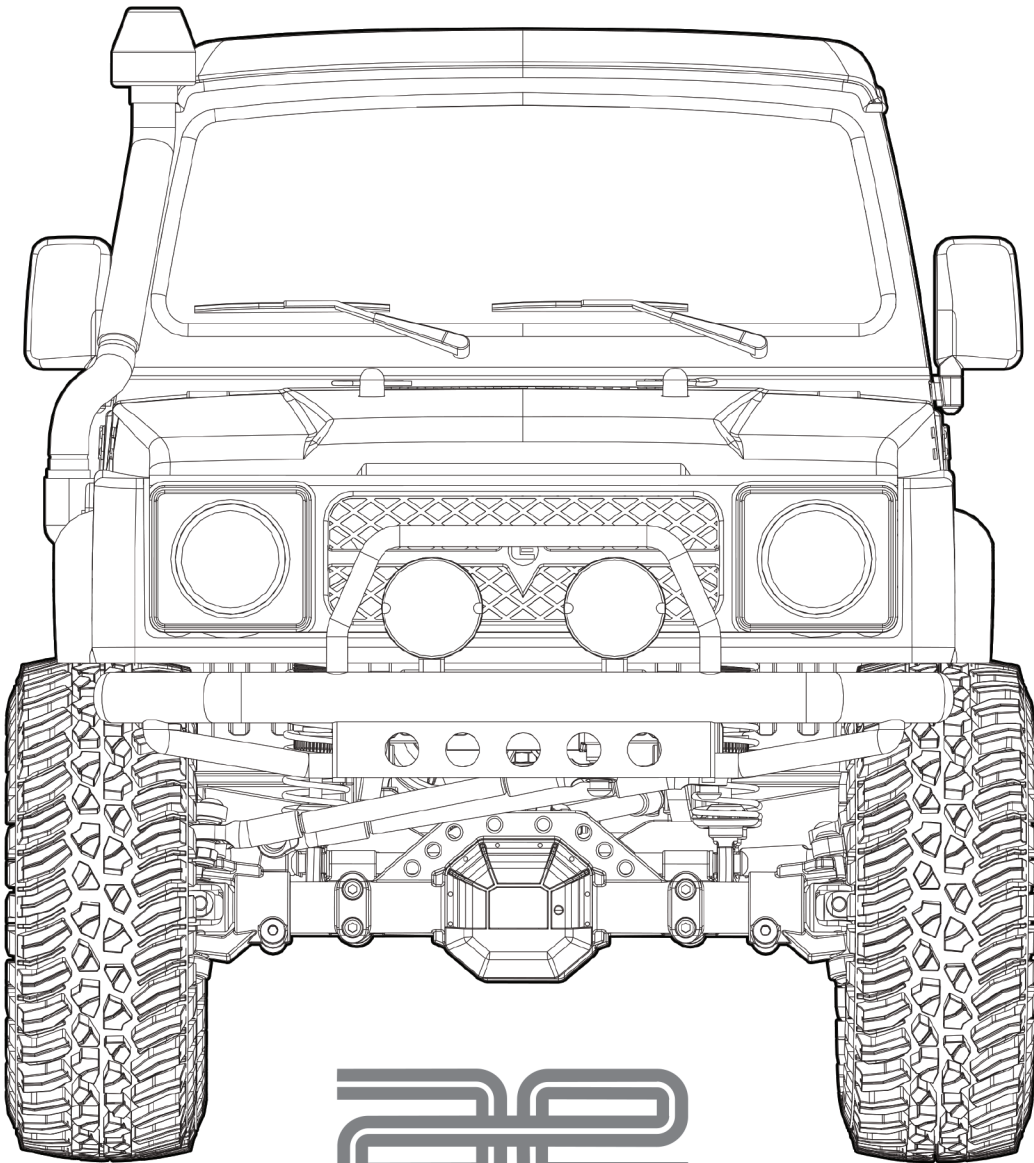
GATE 03 STEALTH X: BUILD CONFIGURATION: MOTOR MOUNT FACING FRONT (OPTIONAL - REQUIRES #42024 - TOP SHAFT)

I:1 (No Over Drive)

Over Drive Option 1 (Stock)

Over Drive Option 2





ASSOCIATED ELECTRICS, INC.
21062 BAKE PARKWAY LAKE FOREST, CA 92630 USA

CALL: (949) 544-7500 - FAX: (949) 544-7501
CHECK OUT THE FOLLOWING WEB SITES FOR ALL OF OUR KITS,
CURRENT PRODUCTS, NEW RELEASES, SETUP HELP, TIPS, AND RACING INFO!
WWW.ASSOCIATEDELECTRICS.COM



ElementRC



@Element_RC