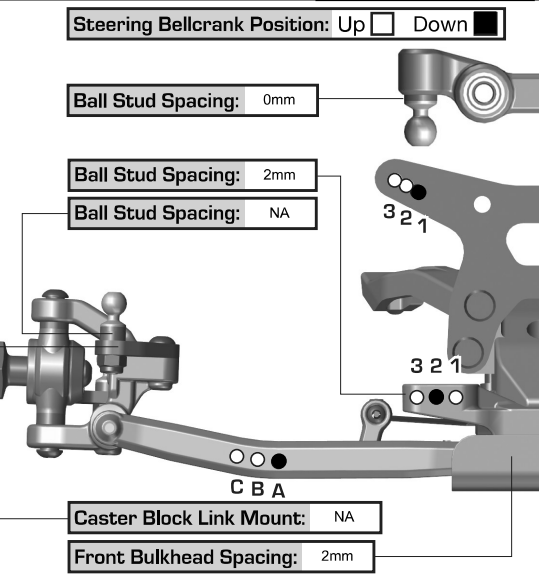
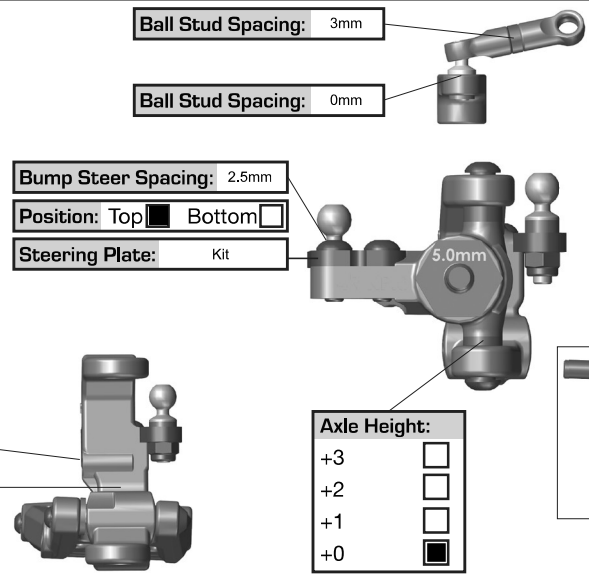


Front Suspension:

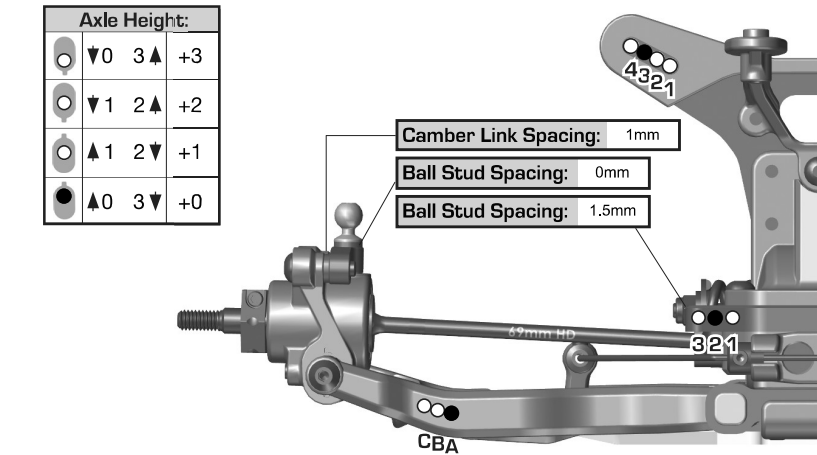
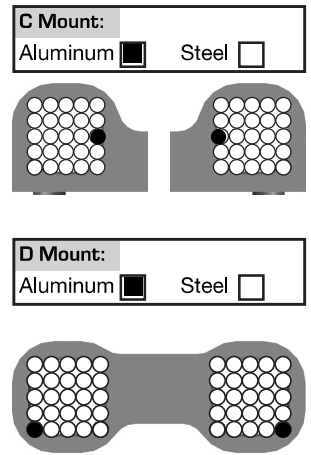
Reset Forms

Ride Height: 20mm
Camber: -1
Toe: 0
Anti-Roll Bar: None
Arm Type: #92411 FT Carbon
Tower Type: #92430
Wheel Hex: Kit
Steering Block: Kit
Caster Block Insert: 0 +2.5 +5
Bulkhead Type: #92437 FT Alum
Kick-Up Angle: -2.5 0 +2.5
Steering Stop Spacing: NA
Caster Block Spacing: Fwd Back
Ballstud Mount: Standard -2mm
Notes: #91985 Caster Block (4mm trail, A Mount)



Rear Suspension:

Ride Height: 20mm
Camber: -1
Anti-Roll Bar: None
Arm Type: #92590 V2 (Reversed)
Tower Type: #92431
Arm Spacing: Fwd Mid Back
Wheel Hex: 5mm
Hub Type: Std HRC #92519
Hub Spacing: Fwd Mid Back
Drive Shaft: CVA's Universals
Notes: 71mm Bones, #92207 Axle
 Upper Shock Mount spaced FWD 6mm



Electronics:

Radio: M17 **Servo:** Reedy RT2007A
EPA: Throttle: 95 % **Brake:** 87 %
ESC: Reedy 610R
ESC Settings: See Sheet
Motor / Wind: Reedy 8.5 #27450 Rotor **Timing:** 20
Pinion: 22 **Spur:** 78
Battery Mount: Std Offset
 Back 1 2 3 4 5 Forward
Battery: Reedy SG& 4800 **Weight:** 50g
Notes:

Drivetrain:

Differential: Ball Diff:
Height: 0 **Gear Diff:**
Diff Setting: FT Diff Decoder = 225
Notes:
Slipper Clutch:
Type: Kit Slipper Plates
of Pads: Kit
Setting: Just starting to lift front tires
Notes:

Shocks:

	Front	Rear
Piston:	3 x 1.5	3 x 1.6
Thickness:	FT 2.0mm	FT 2.0mm
Fluid:	FT 30wt	FT 27.5wt
Spring:	1 Up Red	13mm White
Limiters:	Int: 0mm Ext: 0mm	Int: 0mm Ext: 0mm
Stroke:	22.0mm	28mm
Eyelet:	+0mm	+4mm
Cup Offset:	0 <input type="checkbox"/> +5 <input checked="" type="checkbox"/> +9 <input type="checkbox"/>	0 <input type="checkbox"/> +5 <input checked="" type="checkbox"/> +9 <input type="checkbox"/>
Kashima Bodies: <input checked="" type="checkbox"/> Chrome Shafts: <input checked="" type="checkbox"/> Machined Spacers: <input checked="" type="checkbox"/>		

Notes:

Track Info:

Size: Large
Surface: Topsoil
Traction: Low
Moisture: Watered Overnight, Between Rounds
Condition: Dusty, rocky, loose with groove that formed during the round
Temperature: 75
Notes:

Tires:

Front Tires: JConcepts Double Dee V2
Front Compound: Green
Front Insert: Dirttech
Rear Tires: JConcepts Sprinter
Rear Compound: Green
Rear Insert: Dirttech
Wheel (F/R): JConcepts
Notes:

Body, Weight:

Body: JConcepts P2
Front Wing: None
Rear Wing: JConcepts
Wing Angle: 0° 3° 6°
Chassis Length: #92490 B7 4mm
Servo Weights: None
Electronic Weights: #91975 FT Carbon, 6g
Total Vehicle Weight: 1524

Vehicle Comments:

Notes: JC Titanium Turnbuckles
 Avid Titanium Screw Kit
 Avid Aluminum Slipper Screw
 JC One Piece Wing Button