

Front Suspension:

RESET

Ride Height:	19mm
Camber:	-1
Toe:	+1
Anti-Roll Bar:	None
Arm Type:	Carbon
Tower Type:	Kit
Wheelbase Shim:	Arms Back
Wheel Hex:	5mm
Steering Block Type:	Kit
Caster Block:	-2° <input type="checkbox"/> -1° <input type="checkbox"/> 0° <input type="checkbox"/> +1° <input checked="" type="checkbox"/> +2° <input type="checkbox"/>
Chassis Brace Material:	Plastic
Top Plate Brace Material:	Plastic
Front Axles:	CVA <input checked="" type="checkbox"/> DCV <input type="checkbox"/>
Notes:	Carbon Diff Case

Lower Brace Type: Fixed Pivot



Ball Stud Spacing: 1mm

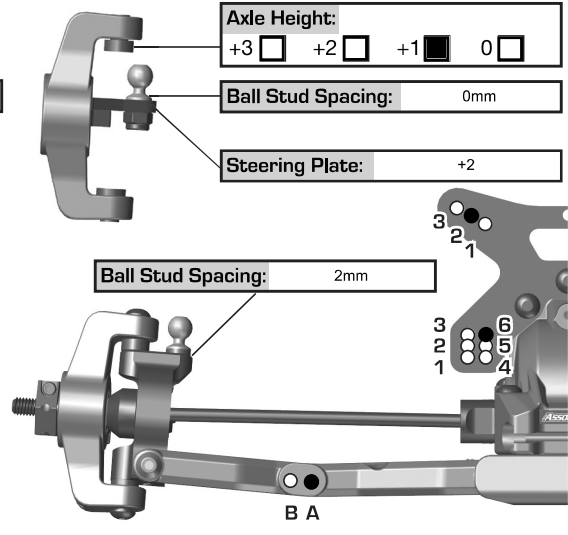
Arm Mount A: 1° 0.5°
Gray Black



Arm Mount B: 1° 0.5°
Gray Black



Diff Height:
+3
+2
+1
+0



Rear Suspension:

Ride Height:	19mm
Camber:	-1
Anti-Roll Bar:	1.4mm
Arm Type:	#92588 V2
Tower Type:	#92571 (Inside, 4mm)
Wheelbase Shim:	FWD
Wheel Hex:	5mm
Hub Type:	#92471 FT Hub
Drive Shaft Type:	69mm
Chassis Brace Material:	Plastic
Upper Chassis Brace Material:	Plastic
Hub Spacing:	Fwd <input checked="" type="checkbox"/> Mid <input type="checkbox"/> Back <input type="checkbox"/>
Notes:	Carbon Dif Case

Lower Brace Type: Fixed Pivot



Rear Chassis Brace Screws:

Arm Mount C: 1° 0.5°
Gray Black

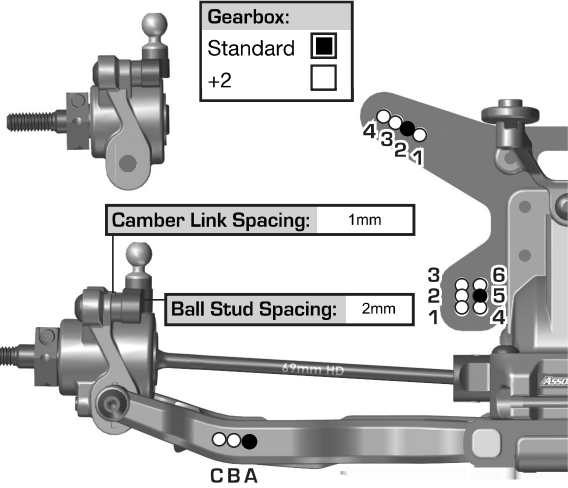


Arm Mount D: 1° 0.5°
Gray Black



Axle Height:
▼0 3▲ +3
▼1 2▲ +2
▲1 2▼ +1
▲0 3▼ +0

Diff Height:
+3
+2
+1
+0



Electronics:

Radio:	M17	Servo:	Reedy RT2007A
EPA: Throttle:	85 %	Brake:	80 %
ESC:	Reedy 610R		
ESC Settings:	See Sheet		
Motor / Wind:	Reedy 6.5	Timing:	10
Pinion:	20T	Spur:	78
Motor Position:	Forward: <input type="checkbox"/> Back: <input checked="" type="checkbox"/>		
Battery Position:	Back 1 <input type="checkbox"/> 2 <input type="checkbox"/> 3 <input checked="" type="checkbox"/> 4 <input type="checkbox"/> 5 <input type="checkbox"/> Forward		
Battery:	Reedy SG& 4800	Weight:	26g
Notes:			

Differential:

	Front	Center	Rear
Fluid:	15k	80k	15k
Gears:	LTC	LTC	LTC
Type:	Plastic	Plastic	Plastic
Notes:			
Slipper Clutch:			
Type:	NA		
# of Pads:	NA		
Setting:	NA		
Notes:			

Shocks:

	Front	Rear
Piston:	3 x 1.5	3 x 1.6
Thickness:	FT 2.0mm	FT 2.0mm
Fluid:	FT 37.5wt	FT 32.5wt
Spring:	13mm Grey	1UP Yellow
Limiters:	Int: 1mm Ext: 1mm	Int: 0mm Ext: 1mm
Stroke:	22.0mm	29.0mm
Eyelet:	0mm	0mm
Cup Offset:	0 <input type="checkbox"/> +5 <input type="checkbox"/> +9 <input checked="" type="checkbox"/>	0 <input type="checkbox"/> +5 <input type="checkbox"/> +9 <input type="checkbox"/>
Kashima Bodies:	<input checked="" type="checkbox"/>	Chrome Shafts: <input checked="" type="checkbox"/> Machined Spacers: <input checked="" type="checkbox"/>
Notes:		

Track Info:

Size:	Large
Surface:	Topsoil
Traction:	Low
Moisture:	Watered Overnight, Between Rounds
Condition:	Dusty, rocky, loose with groove that formed during round
Temperature:	75
Notes:	

Tires:

Front Tires:	JConcepts Sprinter
Front Compound:	Green
Front Insert:	Dirtech
Rear Tires:	JConcepts Sprinter
Rear Compound:	Green
Rear Insert:	Dirtech
Wheel (F/R):	JConcepts
Notes:	

Body, Weight:

Body:	JConcepts P2
Front Wing:	None
Rear Wing:	JConcepts
Rear Wing Mount:	0 <input checked="" type="checkbox"/> -2 <input type="checkbox"/>
Wing Angle:	0° <input type="checkbox"/> 3° <input type="checkbox"/> 6° <input checked="" type="checkbox"/>
Chassis Length:	Kit
Total Vehicle Weight:	1596
Notes:	

Vehicle Comments:

Notes:	JC Titanium Turnbuckles
	Avid Titanium Screw Kit
	JC One Piece Wing Button