

Front Suspension:

RESET

Ride Height:	15mm
Camber:	-1.5
Toe:	+1°
Anti-Roll Bar:	1.1mm
Arm Type:	Carbon
Tower Type:	Kit
Wheelbase Shim:	Middle
Wheel Hex:	4mm
Steering Block Type:	Kit
Caster Block:	-2° <input type="checkbox"/> -1° <input type="checkbox"/> 0° <input checked="" type="checkbox"/> +1° <input type="checkbox"/> +2° <input type="checkbox"/>
Chassis Brace Material:	Carbon
Top Plate Brace Material:	Carbon
Front Axles:	CVA <input checked="" type="checkbox"/> DCV <input type="checkbox"/>
Notes:	Carbon Diff cases

Lower Brace Type: Fixed Pivot



Ball Stud Spacing: 2mm

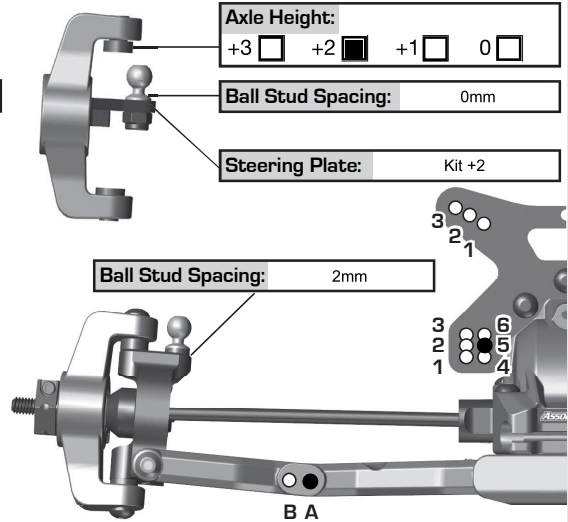
Arm Mount A: 1° 0.5°
 Gray Black



Arm Mount B: 1° 0.5°
 Gray Black



Diff Height:
 +3
 +2
 +1
 +0



Rear Suspension:

Ride Height:	16mm
Camber:	-1.5°
Anti-Roll Bar:	1.2mm
Arm Type:	Carbon
Tower Type:	Kit
Wheelbase Shim:	Middle
Wheel Hex:	6mm
Hub Type:	Kit
Drive Shaft Type:	69mm HD
Chassis Brace Material:	Carbon
Upper Chassis Brace Material:	
Hub Spacing:	Fwd <input type="checkbox"/> Mid <input checked="" type="checkbox"/> Back <input type="checkbox"/>
Notes:	No upper Chassis Brace / Vertical Ball stud mount

Lower Brace Type: Fixed Pivot



Rear Chassis Brace Screws:

Arm Mount C: 1° 0.5°
 Gray Black

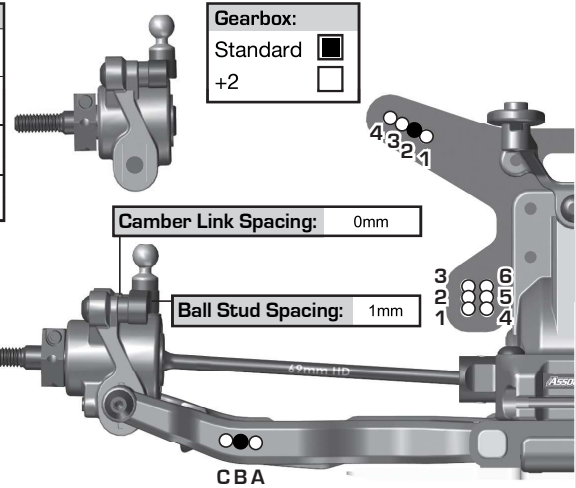


Arm Mount D: 1° 0.5°
 Gray Black



Axle Height:
 ▼0 3▲ +3
 ▼1 2▲ +2
 ▲1 2▼ +1
 ▲0 3▼ +0

Diff Height:
 +3
 +2
 +1
 +0



Electronics:

Radio:	Sanwa	Servo:	Reedy RT2007A
EPA: Throttle:	100 %	Brake:	95 %
ESC:	Reedy 610R		
ESC Settings:			
Motor / Wind:	SP5 13.5	Timing:	46°
Pinion:	25	Spur:	72
Motor Position:	Forward: <input checked="" type="checkbox"/> Back: <input type="checkbox"/>		
Battery Position:	Back 1 <input type="checkbox"/> 2 <input type="checkbox"/> 3 <input checked="" type="checkbox"/> 4 <input type="checkbox"/> 5 <input type="checkbox"/> Forward		
Battery:	StockStar 4000	Weight:	None
Notes:			

Differential:

	Front	Center	Rear
Fluid:	15k	500k	10k
Gears:	HTC	LTC	HTC
Type:	Plastic	Plastic	Plastic
Notes:	Plastic Ring and Pinion		

Slipper Clutch:

Type:	
# of Pads:	
Setting:	
Notes:	

Shocks:

	Front	Rear
Piston:	2 x 1.7	1.8 x 1.9
Thickness:	2.5	2.5
Fluid:	37.5	30
Spring:	1up Pink	13mm Yellow
Limiters:	Int: 1 Ext: 2	Int: 1 Ext: 0
Stroke:	23.0mm	28.0mm
Eyelet:	+2	+0
Cup Offset:	0 <input type="checkbox"/> +5 <input checked="" type="checkbox"/> +9 <input type="checkbox"/>	0 <input checked="" type="checkbox"/> +5 <input type="checkbox"/> +9 <input type="checkbox"/>
Kashima Bodies:	<input checked="" type="checkbox"/>	Chrome Shafts: <input checked="" type="checkbox"/> Machined Spacers: <input checked="" type="checkbox"/>
Notes:	Polished Shock Shafts and Pins	

Track Info:

Size:	
Surface:	
Traction:	
Moisture:	
Condition:	
Temperature:	
Notes:	

Tires:

Front Tires:	Tzo
Front Compound:	T1
Front Insert:	Tzo Glued
Rear Tires:	Tzo
Rear Compound:	T1
Rear Insert:	Tzo Glued
Wheel (F/R):	JC Mono
Notes:	Glued Front sidewalls

Body, Weight:

Body:	JC LW Striker
Front Wing:	JC
Rear Wing:	JC 7" 2 side hole 5mm
Rear Wing Mount:	0 <input checked="" type="checkbox"/> -2 <input type="checkbox"/>
Wing Angle:	0° <input type="checkbox"/> 3° <input type="checkbox"/> 6° <input checked="" type="checkbox"/>
Chassis Length:	Kit
Total Vehicle Weight:	
Notes:	

Vehicle Comments:

Notes:	