

Front Suspension

Anti Roll Bar:

- 2.2mm Green
 2.3mm White
 2.4mm Blue
 2.5mm Yellow

Steering System:

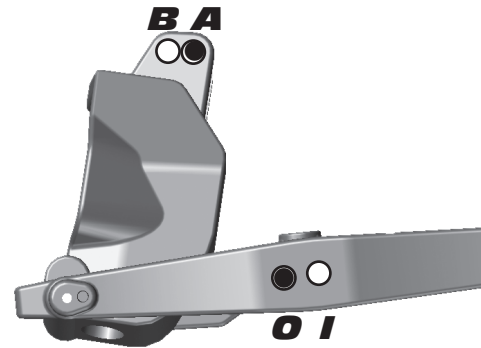
- Swing Rack
 Bellcrank Rack

 back
 mid
 front

Bumpsteer
Washers: 1.5mm

Camber: -1.5 degrees

Caster: 16 degrees

Toe: 0

Upper Hinge Pin Bushing

Front # 1 dot
Up **Down**
Rear # 1 dot
Up **Down**

B-Plate Type

Low **Original**

Kickup Bushing A-Plate

1 dot
Up **Down**

Ride Height: 28 mm

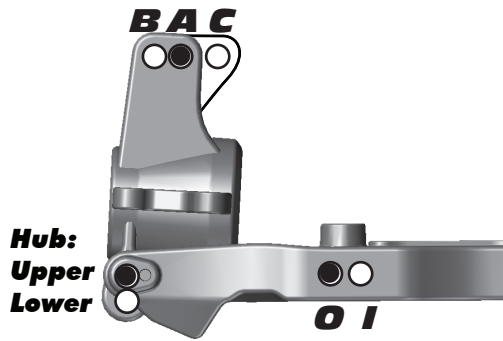
Rear Suspension

RESET
Anti Roll Bar:

- 2.5mm Green
 2.6mm White
 2.7mm Blue
 2.8mm Yellow

Wheelbase:

- Long**
Medium
Short

Camber: -1.5 degrees

Toe Bushing D-Plate

GHEA LRC 3 Dot Down
In **Out**

Squat Bushing C-Plate

GHEA LRC 3 Dot
Up **Down**

Ride Height: 28.5 mm

Front Shocks

Spring: Kyo Lt Blue
Shock Fluid: 35 wt
Piston: 4x1.6 Drilled
Shock Cap: Bladder
Length: 100 mm
Rebound: 0

Rear Shocks

Spring: Kyo Orange
Shock Fluid: 27.5 wt
Piston: 4x1.6 Drilled
Shock Cap: Bladder
Length: 119 mm
Rebound: 0

Chassis Braces

Chassis Braces:
Pivot
Molded
Aluminum

Wheel Hex

Wheel Hex:
Narrow
Wide

Caster Blocks

Caster Blocks:
Vertical
Inclined

Chassis Weight

Weight: 3350g

Rear Hubs

Rear Hubs:
Standard
CNC FT Alum.

Differentials

Front Diff: 5000
Center Diff: 5000
Rear Diff: 5000
Notes:

Body / Wing

Body Type: Jconcepts Silencer
Wing Type: Jconcepts Punisher
 High Rotation Side Dams
Gap to Tower (MM): 28mm

Gearing / Clutch

Spur Gear: 44
Clutch Bell: 16
Clutch Shoes: Hard Aluminum
Clutch Spring: 2x1.0, 1x1.1

Engine

Engine: LRP ZZ.21C
Restrictor: 6 mm **Temp:** 250
Muffler: Reedy 2035
Glow Plug: LRP WT4 **Fuel:** Sidewinder 30%

Tires

Tire (F/R): Jconcepts Hybrids / Jconcepts Hybrids
Compound (F/R): Blue / Blue
Inserts (F/R): JConcepts Closed Cell / JConcepts Closed Cell
Wheel (F/R): JConcepts Bullet / JConcepts Bullet
Notes:

Radio / Servos

Radio: Futaba 4pks-R **Brake Bias:** 50/50
Throttle / Steering Servo: Futaba BLS157HV / Futaba BLS157HV
Throttle / Brake expo: 0 / 0
Steering expo: 0
Dual Rate: 100%

Race and Vehicle Comments

Qualify: _____ **Main:** _____ **Finish:** _____ **TQ:** _____
Comments: Vertical caster blocks; High wing mont; Carbon shock towers;

Track Info

Traction: **High** **Medium** **Low**
Surface: **Smooth** **Bumpy** **Blue Groove**
Soft Dirt **Grass** **Clay** **Wet**
Astroturf **Dusty** **Other:** _____